



# CD1360S Series

## 360Watts, Single Output

### Features

- High power density
- Built-in cooling fan
- RoHS compliance
- 3 year warranty
- Great reliability
- DIN Rail / Wall bracket mounting solution
- Over voltage protection
- Overload protection
- Short circuit protection

Dimensions: 121(D)x75(W)x110(H) mm

### Safety Standards



EN 60950 (Marking)



UL 508 (Approval)  
CSA 22.2 (Certificate)

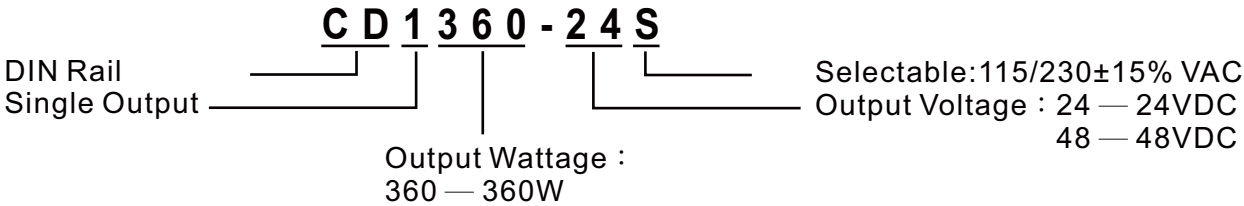
### EMC Standards

EN55011	Class B
EN55022	Class B
EN61000-4-2	Level 3
EN61000-4-3	Level 3
EN61000-4-4	Level 3
EN61000-4-5	Level 3
EN61000-4-6	Level 3
EN61000-4-8	Level 3
EN61000-4-11	Level 3

### Model List

Model	O/P Voltage Adjustment	Loading Min.	Rated	Max.	Ripple Noise	Efficiency	Over Voltage Protection
CD1360-24S	+24VDC±10%	0A	15A	15A	150mVp-p	82%	27~30VDC
CD1360-48S	+48VDC±10%	0A	7.5A	7.5A	250mVp-p	83%	52~56VDC

### Model Encoding



### Specification

General	
Switching Frequency	85kHz
Isolation Voltage	Input-Output 3000VAC/4242VDC
	Input-FG 1500VAC/2121VDC
	Output-FG 500VAC/ 710VDC
Isolation Resistance	100MΩ when Input-Output @500VDC
Operating Temperature	-40°C~40°C ambient
Derating	2.5% per degree from 40°C to 60°C
Storage Temperature	-40°C to +85°C
Relative Humidity	5%~95% RH, Non-condensing.
Temperature Coefficient	±0.04% of output voltage per °C
MTBF	60,000hrs Min. Per MIL-HDBK-217F, 25°C GB
Attitude During Operation	2000m
Installation position	Vertical
Vibration	Random Vibration, 10~500Hz. 3 axis
Input	
Input Voltage	115/230VAC ±15% Selectable
Input Frequency	47~63Hz
Inrush Current (cold start)	22A/115VAC 44A/230VAC
Rated Input Current	7A Max.@Vi=115VAC, 4A Max.@Vi=230VAC
Leakage Current	Input-output 0.25mA, Input-FG 3.5mA, Vi=250VAC
Output	
Output Voltage accuracy	±1%
Minimum Load	0%
Line Regulation	±1%, measuring from low line to high line rated load
Load Regulation	±1%, measuring from 20% to 100% of rated load 230VAC input
Voltage Trim Range	±10%
Rated Continuous Loading	15A@24VDC, 7.5A@48VDC
Hold Up Time	25mS Min., Full load@230VAC.
Turn On Time	1500mS
Rise Time	15mS
Fall Time	30mS

### Specification

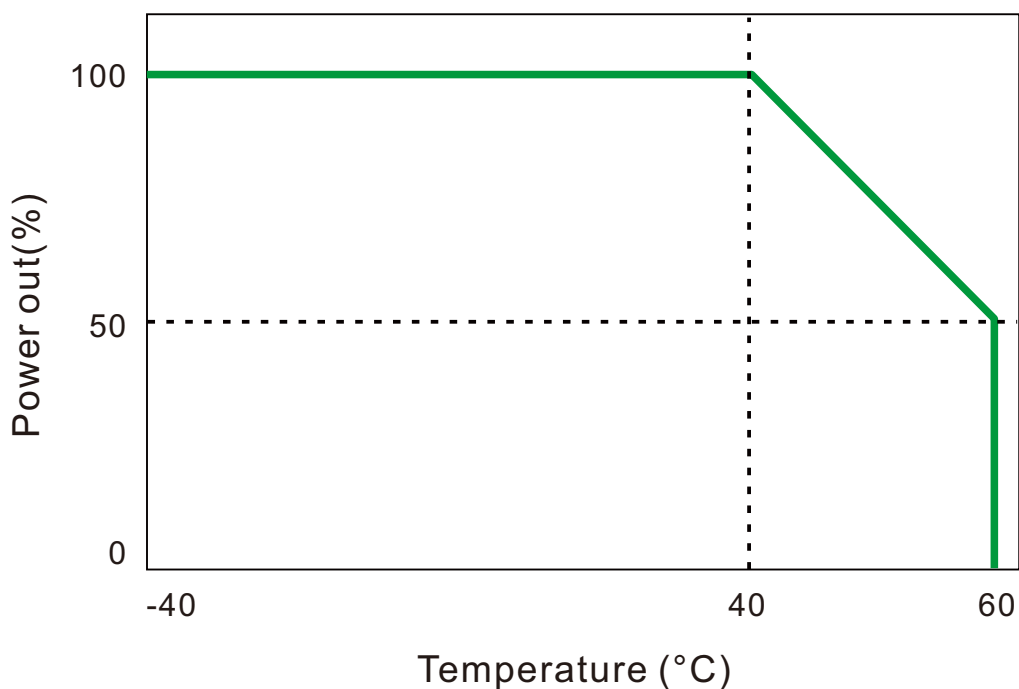
#### Output

<b>Transient Response</b>	Recovery Time	2mS, Load change 50% to 100%
	Voltage Deviation	5%, Load change 50% to 100%
<b>Efficiency</b>		See model list, measuring at rated load and 230VAC input
<b>Ripple and Noise</b>		See model list, measuring by using a 0.1 $\mu$ F/630V metalize capacitor and a 47 $\mu$ F electrolytic capacitor parallel on the test point, at rated load and 230VAC input.

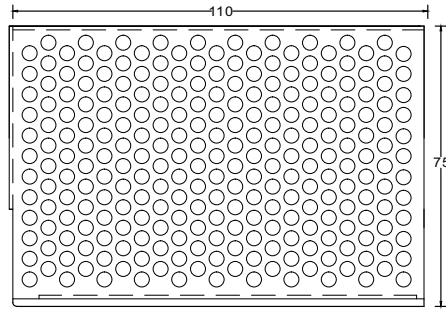
#### Protection

<b>Input Fuse</b>	8A/250V
<b>Internal Surge Load Protection</b>	Varistor, IEC6100-4-5
<b>Degree of Protection</b>	IP20
<b>Short Circuit Protection</b>	Autorecovery
<b>Over Voltage Protection</b>	Autorecovery
<b>Rated Over Load Protection</b>	120~160%
<b>Overload protection</b>	Power limited

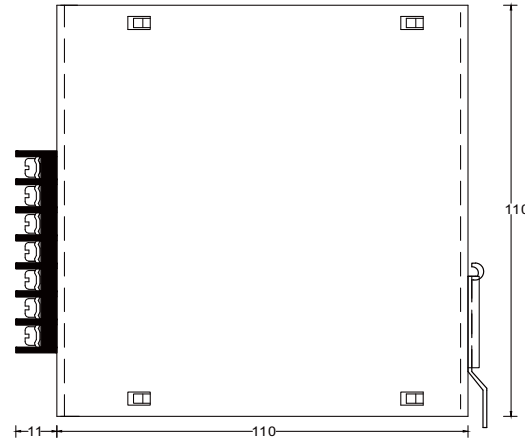
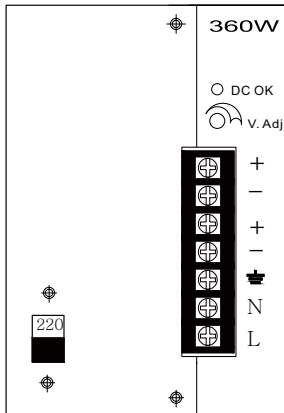
### Derating Curve



### Mechanical Details



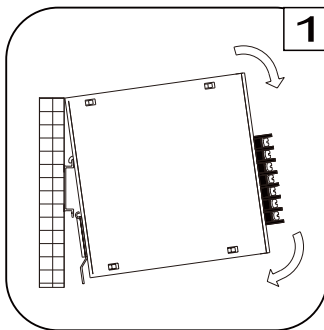
Case No.	CD240S	
Dimensions	121(D)x75(W)x110(H)mm	
Case Material	Metal	
Weight	CD1360-24S	821 g
	CD1360-48S	803.8 g



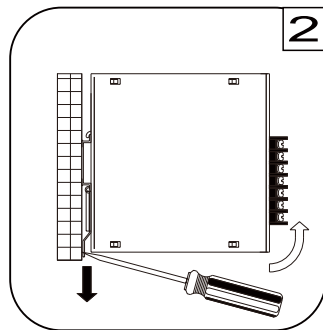
### Terminal Allocation

Designation	Description
DC OK	Green LED Indicator
V Adj.	O/P Voltage adjustment
+	Output Positive
-	Output Negative
⊕	Earth
N	Input Neutral
L	Input Line

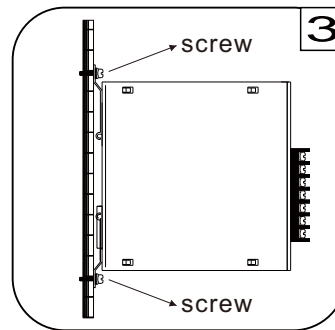
### Installation instruction



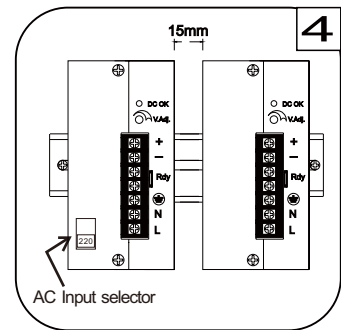
Place the top of the CD1360S rail mount over the top of the DIN rail. Tilt the bottom of the CD1360S toward the DIN rail until it snaps into place.



To remove the CD1360S from the DIN rail, use a flathead screwdriver to pull down the bottom of the rail mount and tilt it away from the DIN rail.



To install CD1360S on wall/plate, loosening screws on mounting bracket and pull both brackets out first. Then re-screwing the two brackets with screws onto wall/plate.



The left housing of CD1360S is designed as a heat sink, please keeping a minimum distance of 15mm from each other.

**CHUNDE TECHNOLOGY CO., LTD**

<http://www.chunde.com.tw>

E-mail: [chunde88@chunde.com.tw](mailto:chunde88@chunde.com.tw)

Tel: 886-7-3735373 Fax: 886-7-3758835

No.136, Mingshan 10th St., Renwu Dist, Kaohsiung County 814, Taiwan(R.O.C.)