

# 兩線式/三線式 荷重元件傳送器 (超小型)

(TWO-WIRE/THREE-WIRE LOAD-CELL TRANSMITTER)(mini-size)

MODEL  
TWL



## ■特點(FEATURES)

- 精確度 $\pm 0.025\%$ 滿刻度(Accuracy  $\pm 0.025\%$ F.S.)
- 多種輸入與輸出反應速度選擇功能(Wide selection of input range/output response time)
- 寬範圍電源輸入直流14至28伏特(Field-rangeable supply voltage from 14 to 30V)
- 超小尺寸(51.5x22.2x19.3mm)(Dimension mini-size(51.5x22.2x19.3mm))
- 低價位與高可靠度(Low cost and high stability)
- CE認證(CE EMC certification)

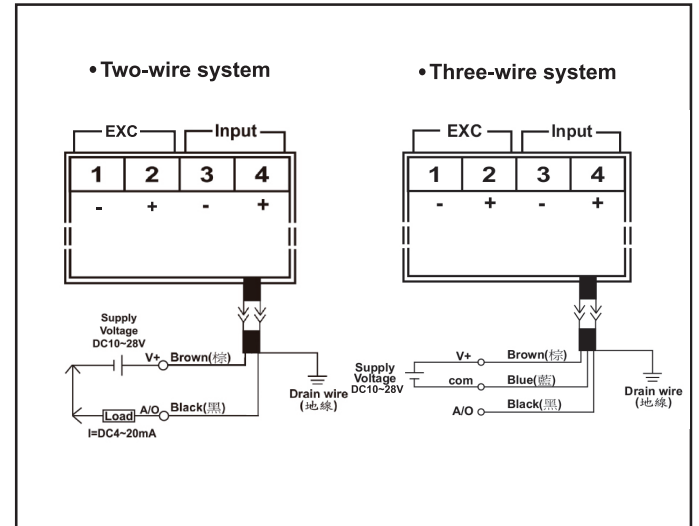
1.MODEL:TWL-  
(選購型號)

NO	Input Range	NO	Output Range	NO	Response time	NO	Output cable length
1	1mV/V	A	DC4~20mA(Two-wire system)	1	1ms(0~90%)	2	2M(standard)
2	2mV/V	C	DC1~5V(Three-wire system)	2	10ms(0~90%)	9	Customer
3	3mV/V	D	DC0~10V(Three-wire system)	3	100ms(0~90%)	•3cond.+shield,#28AWG, PVC	
9	SPECIFIED	I	DC4~20mA(Three-wire system)	9	SPECIFIED		

## 2.SPICIFICATION (主要規格)

- Measuring accuracy (精確度) :  $\pm 0.025\%$  F.S.( $23\pm 5^\circ\text{C}$ )(Three-wire)  
 $\pm 0.1\%$ F.S.( $23\pm 5^\circ\text{C}$ )(Two-wire)
- Supply voltage (電源輸入) : DC10 to 28V(Output DC4~20mA/1~5V)  
DC14 to 28V(Output DC0~10V)
- Sensor power supply (感應器電源) : DC1V $\pm 1\%$ ( $<3\text{mA}$ )(Two-wire system)  
DC5V $\pm 1\%$ ( $<50\text{mA}$ )(Three-wire system)
- Output load capability (輸出負載能力) :  $>1\text{Kohm}$  (Voltage output)  
 $<[(V_s-7V)/0.02A]\text{ohm}$  (Current output)
- Response time (輸出反應時間) : 1ms/10ms/100ms(Three-wire)  
10ms/100ms(Two-wire)
- Output ripple(p-p) (輸出漣波) :  $<0.05\%$ F.S.(Three-wire)  
 $<0.1\%$ F.S.(Two-wire)
- Zero (offset) range (歸零調整範圍) : 0~  $\pm 10\%$ F.S.(Three-wire)  
0~ $\pm 7.5\%$ F.S.(Two-wire)
- Span (scale) range (最大值調整範圍) : 0~  $\pm 15\%$ F.S.(Three-wire)  
0~ $\pm 10\%$ F.S.(Two-wire)
- Temp. coefficient (溫度係數) : 25ppm/ $^\circ\text{C}$  (0~60 $^\circ\text{C}$ )(Three-wire)  
50ppm/ $^\circ\text{C}$ (0~60 $^\circ\text{C}$ )(Two-wire)
- Isulation resistance (絕緣阻抗) :  $>100\text{M ohm}$  with 500Vdc
- Dielectric strength (絕緣耐壓能力) : 2KVac/1 min. (input/case)
- RFI protection (RFI保護) : 2W-150MHz at 2 meter causes less than 0.5% change in output
- Operating condition (使用環境條件) : 0~60 $^\circ\text{C}$  (20 to 90% RH non-condensed)
- Storage condition (存放環境條件) : 0~70 $^\circ\text{C}$  (20 to 90% RH non-condensed)
- Input wire range (輸入配線規格) : #14~#26AWG (0.2~2.0mm $^2$ )
- Case materials (外殼材料) : PC+ABS
- CE EMC Certification (CE 認證) : EN 55022:1998/A1:2000 Class A  
EN 61000-3-2:2000  
EN 61000-3-3:1995/A1:2001  
EN 55024:1998/A1:2001

## 3.TERMINAL CONNECTION (接線圖)



## 4.DIMENSION (unit:mm) (外型尺寸)

