

ZA-12/ZV-12型 单相电流/电压变送器 ZA-12/ZV-12 Single phase current / voltage transducer

■用途 Usage

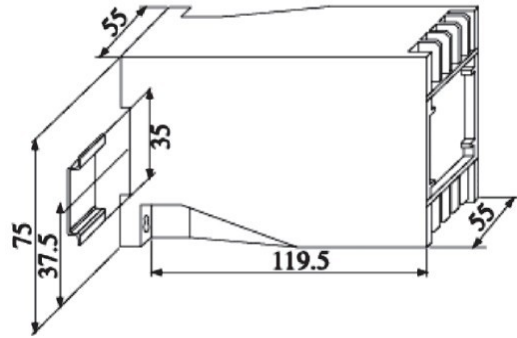
ZA-12/ZV-12型单相电流/电压变送器是一种将电网中的电流、电压参数，经隔离变送成线性的直流模拟信号的装置。产品符合国家标准GB/T13850-1998。

ZA-12/ZV-12 single phase current/voltage transducer is a device which can isolate and transmit electric parameters, such as current, voltage, into linear DC analog signal. It meets the requirements of National standard GB/T13850-1998.

■技术参数 Technical parameters

输入标称值 Input nominal value	电流Current :1Aac ,5Aac;电压Voltage:100Vac,150Vac,300Vac,600Vac
输入过载 Input overload	持续2倍, 瞬时电流10倍/5秒; 瞬时电压2倍/30秒 Continual 2times, instantaneous current 10times/5Sec.; instantaneous voltage 2 times/30Sec.
输入负载 Input overload	电流互感器: $\leq 0.2VA$, 电压互感器: $\leq 0.1VA$ Current transformer(CT) $\leq 0.2VA$, Voltage transformer(PT) $\leq 0.1VA$
精度 Accuracy	$\leq \pm 0.2\% R.O.$
响应时间 Response time	<400mSec.
输出电压 Output voltage	0~10Vdc, 1~5Vdc, 0~5Vdc, and special
输出电流 Output current	4~20mAdc, 0~20mAdc, 0~10mAdc, and special
输出波纹 Output ripple	<0.5%R.O.
输出负载 Output overload	电流输出时<750 Ω , 电压输出时>1000 Ω Output current <750 Ω , Output voltage >1000 Ω
输出满度校调 Span adjustment	$\leq \pm 20\%$ of R.O.
输出零点校调 Zero adjustment	$\leq \pm 20\%$ of R.O.
工作电源 Power supply	AC220V $\pm 10\%$ 、AC110V、DC220V、DC110V、DC24V $\pm 20\%$
电源功耗 Consumption	直流供电<3W, 交流供电<4VA DC Power <3W, AC Power <4VA
外壳材料 Case material	ABS
隔离 Isolation	输入/输出/电源/外壳 互相隔离 Between input/output/power/case
耐压强度 Isolation voltage	AC4KVrms/min
绝缘阻抗 Insulation resistance	>100M Ω , DC500V
工作环境温湿度 Operating temperature humidity	— 10 $^{\circ}C$ ~55 $^{\circ}C$, <80%相对湿度(无冷凝状态) — 10 $^{\circ}C$ ~55 $^{\circ}C$, <80%Relative humidity(non-condensing)
储存环境温度湿度 Storage temperature humidity	— 20 $^{\circ}C$ ~70 $^{\circ}C$, <70%相对湿度(无冷凝状态) — 20 $^{\circ}C$ ~70 $^{\circ}C$, <70%Relative humidity(non-condensing)
外型尺寸 Case dimension	119.5 mm(长) \times 55mm(宽) \times 75mm(高) 119.5 mm(Length) \times 55mm (Width) \times 75mm (Height)
安装方式 Mounting	标准导轨35mm, 或螺钉固定 DIN rail 35mm, or fix to cubicle with bolt
重量 Weight	<200克 <200g

■外型尺寸 Dimension



■选型代码 Model Code

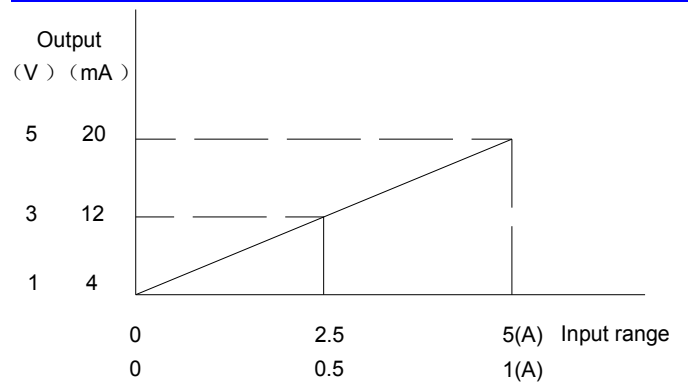
企业代码 Company code	功能代码 Function code	接线方式 Wiring	输入代码 Input code	输出代码 Output code	工作电源 Aux.power
Z	A 电流 Current	12 单相二线 Single phase	A1 0~1A	A020 0~20mA	A22 AC220V
	V 电压 Voltage		A5 0~5A	A420 4~20mA	A11 AC110V
	AT Current trms		A10 0~10A	V01 0~1V	D22 DC220V
	VT Voltage trms		V10 0~100V	V05 0~5V	D11 DC110V
			V11 0~110V	V15 1~5V	D24 DC24V
			V12 0~120V	V10 0~10V	O Special
			V22 0~220V	O Special	
			V38 0~380V		
			V50 0~500V		
			O Special		

请详细书写您所需产品的型号和参数!

■订货范例 Order example

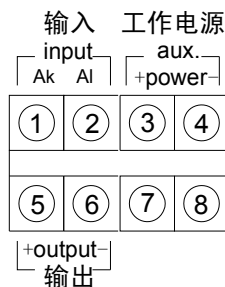
型号 Model : ZA-12-A5-A420-A22
 输入 Input : 1P2W,0~5Aac
 输出 Output : 4~20mAac
 电源 Power : AC220V 50Hz

■输入、输出曲线图 Input、Output curve



■接线图 Connection Diagram

单相电流变送器
Single phase Current Transducer



单相电压变送器
Single phase Voltage Transducer

