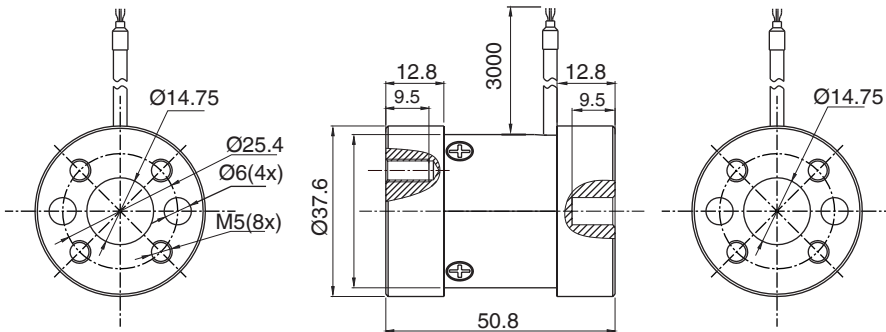


F9801

尺寸及量程 / Size and Capacity



| 量程 / Capacity (Nm) | 材料 / Material | 重量 / Weight |
|---------------------------------|--------------------|-------------|
| 1/2/3/ 5/6/ 10/20/30/50/100/150 | 铝合金/Aluminum alloy | 0.2kg |

技术参数 / Technical Parameters

| 参数 | Specifications | 技术指标/Technique |
|-----------|-------------------------|---|
| 输出灵敏度 | Rated output | 2.0 ± 0.2 mV/V |
| 零点输出 | Zero balance | ±2% F.S. |
| 非线性 | Non-linearity | ±0.5% F.S. |
| 滞后 | Hysteresis | ±0.25% F.S. |
| 重复性 | Repeatability | ±0.1% F.S. |
| 蠕变 (30分钟) | Creep (30min) | ±0.5% F.S. |
| 灵敏度温度漂移 | Temp. effect on output | ±0.05% F.S. / 10°C |
| 零点温度漂移 | Temp. effect on zero | ±0.05% F.S. / 10°C |
| 输入电阻 | Input impedance | 410 ± 10 Ω |
| 输出电阻 | Output impedance | 350 ± 5 Ω |
| 绝缘电阻 | Insulation | ≥5000MΩ |
| 激励电压 | Recommended excitation | 5...10VDC |
| 最大激励电压 | Maximum excitation | 15VDC |
| 温度补偿范围 | Compensated temp. range | -10 ... 40°C |
| 工作温度范围 | Operation temp. range | -20 ... 80°C |
| 安全超载 | Safe overload | 120% F.S. |
| 极限超载 | Ultimate overload | 150% F.S. |
| 电缆线尺寸 | Cable size | Ø 3 × 3000 mm |
| 防护等级 | Protection class | IP65 |
| 连接方式 | Cable color code | Input: Red(+) Black(-); Output: Green(+) White(-); 输入: 红 (+) 黑 (-); 输出: 绿 (+) 白 (-); |

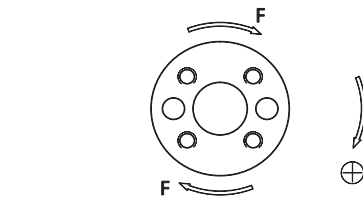


特点和用途 / Features & Applications

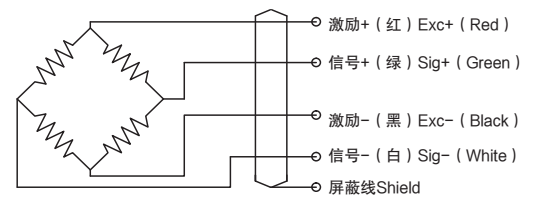
- 静态扭矩传感器
- 铝合金材料
- 结构紧凑，便于安装
- 防护等级：IP65
- 适用于静态、非连续旋转的扭矩力值测量，

- Static torque sensor
- Made of anodized aluminum alloy
- Compact structure, easy to install
- IP65 protection
- Used for static, non-continuous rotational, torque measurement

受力方式 / Load Direction



接线图 / Schematic Wiring Diagram



注：屏蔽线不与弹性体相连。
Note: Cable shield is not connected to the element.