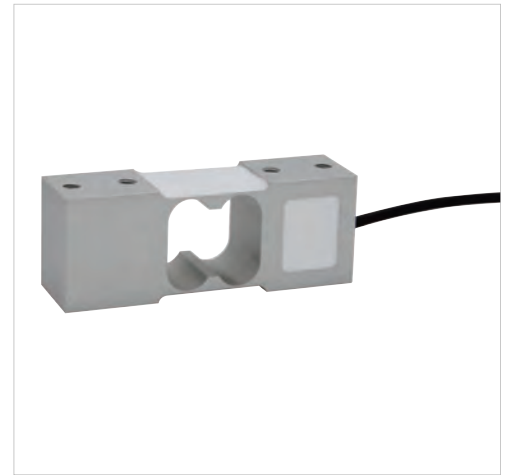
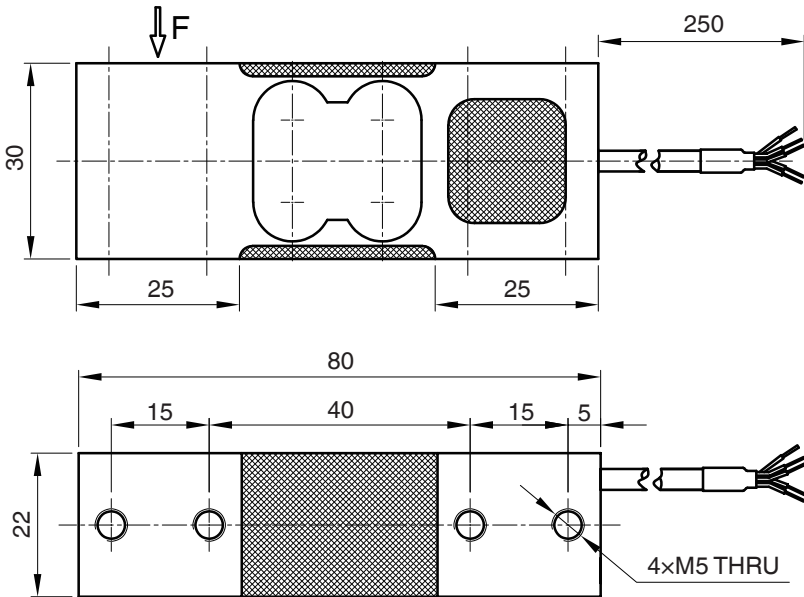


 尺寸及量程 / Size and Capacity

**Variant A**

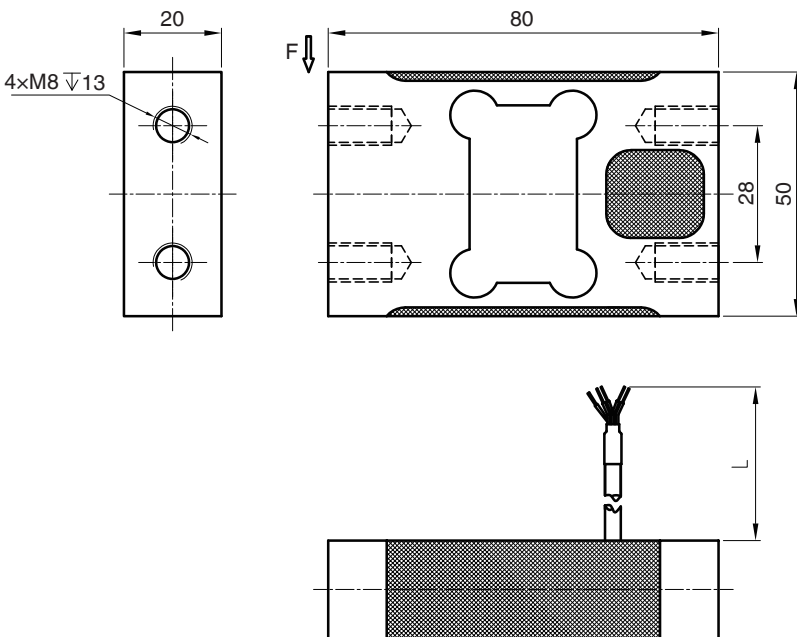


 特点和用途 / Features&Applications

- 优秀的动态响应性，称重效率高
- 紧凑的安装尺寸，适用于各种安装方式
- 综合精度高，对温度变化不敏感
- 偏心负载补偿
- 极具性价比的称重解决方案
- 用于各种尺寸的多头秤称重应用

- Excellent dynamic responsiveness, to raise weighing efficiency
- Compact mounting dimensions, suitable for all kinds of mounting
- High accuracy with low temperature drift
- Off-center load compensation
- Extremely cost effective weighing solution
- Suitable for all sizes of multihead weighing applications

**Variant B**



	量程 / Capacity (kg)	材料 / Material	重量 / Weight
Variant A	2/3/5/8	铝合金 / Aluminum alloy	0.1kg
Variant B	5/8/30		
Variant C	15		